



STREET AND OUTDOOR LIGHTING - POLE TOP LUMINAIRE

One standard for all applications!



IK 10

IP 66

CE

PRUNUS A4

Application areas

- plazas
- parks
- town and city centres

Top cover: aluminium, coated

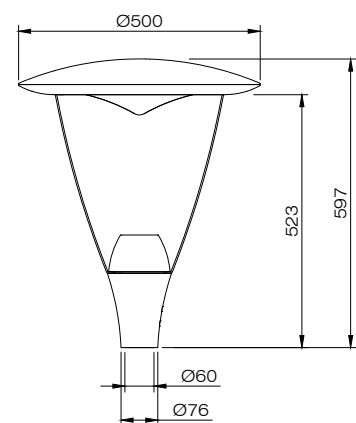
Light cover: UV-stabilised polycarbonate, clear

Light source: LED

Classification: IP 66

Impact proof: IK 10


Dimensions in mm:





STREET AND OUTDOOR LIGHTING - POLE TOP LUMINAIRE

Technical specifications

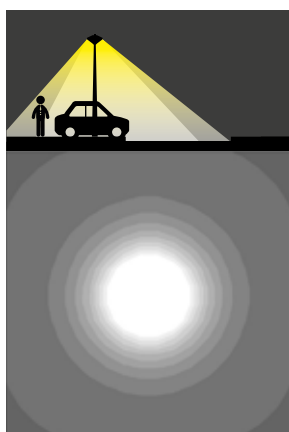
POLE TOP LUMINAIRE - 3000K				
		Lumen	LED power (W)	System power (W)
	PRUNUS A4	1700	11.8	14

Product specifications

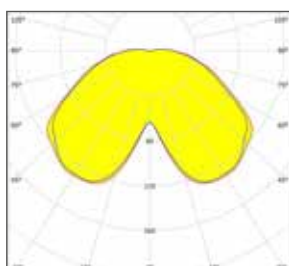
- colour temperature: standard warm white (3000K)
- light cover: polycarbonate, clear
- upward directed LED light source
- downward light distribution by white reflector
- weight: approx. 6kg (depends on model)
- assembly-, installation- and maintenance-friendly
- pole-mount size: 60 mm
- CRI: > 70
- voltage: 230/240 V, 50 Hz
- safety class: I
- wind surface: approx. 0.14 m²
- standard colour: RAL 7016
- standard cable type H05BQ-F (5 meter, 3x1.0 mm²)

Options

- other RAL colour
- other cable types/lengths
- safety class II
- colour temperature neutral white (4000K)



A4 - circular distribution



Visit our website for the most up to date information

www.lightronics.eu

